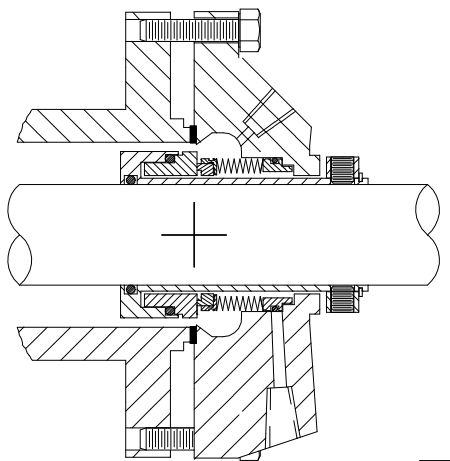




DELTA SINGLE CARTRIDGE SEAL WITH STATIONARY BELLOWS

Two Tangential Flush Connections Standard; Optional Quench and Drain Feature Available.

STYLE 3100



Technical Features

Stationary metal bellows design minimizes common modes of vibration which lead to premature failure.

Deltas' cool running gland design provides clearances 10 times greater than the average clearance provided by other seal manufacturers' designs, This feature maximizes the volume of flow around seal faces, resulting in a cooler, cleaner face environment, providing extended seal life.

Tangential flush connections positioned over the seal faces utilize the largest thru hole diameter available, supplying over 4 times the volume of straight drilled flush holes, providing maximum cooling and cleaning of seal faces maximizing seal life.

Rugged, heavy-duty gland castings eliminate distortion related failures typically encountered on "low cost, light duty gland designs".

Rotary inboard faces stabilized under compression are flexibly mounted utilizing o-rings for their shock and vibration absorption qualities. This eliminates premature fractures in the faces under thermal and mechanical shock that can cause catastrophic failures in other designs with faces under tension.

Balanced stationary cartridge design utilizes all static o-rings, which eliminates damage to the pump shaft/sleeve or seal normally caused by rotary pusher component or pusher cartridge type seals, allowing use of solid pump shafts that minimize deflection.

Positive hold, metal-centering clips center the seal in both the axial and radial directions.

Optional features:

- Quench and drain feature

Choose from spare parts kits for field repair or the optional factory repair program. State of the art, easy-to-install design uses the least number of components, simplifying field repair, resulting in low life cycle costs.

All seals are pressure tested at the factory assuring 100% sealability during startup.

Application Data

Shaft speed: To 3600 RPM

Pressure: Vacuum to 400 PSI

Temperature: See O-ring limitations

Materials

Metal Parts: 316SS, Alloy 20

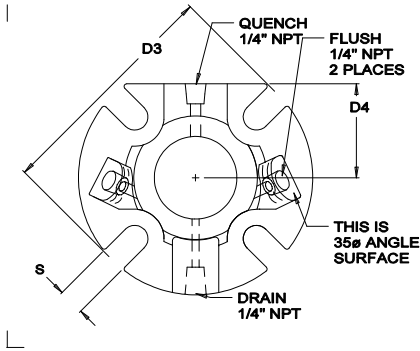
Bellows: AM 350

Faces: Carbon/Sintered Silicon Carbide in combination

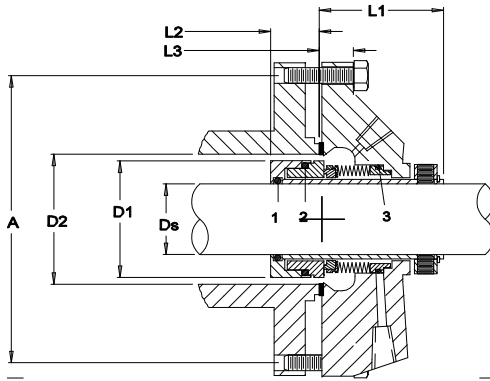
Elastomers: Viton, EPR, Kalrez, Aflas, Teflon

DIMENSIONAL DATA FOR DELTA SEAL STYLE 3100

FRONT VIEW

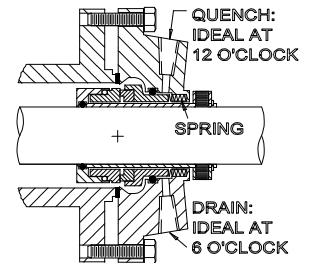


SIDE VIEW



OPTIONAL GLAND FEATURE

Quench and Drain optional on this seal model.



(REPRESENTATIVE VIEW)

DS Seal Size	D1 Sleeve OD	D2 Min	D2 Max	D3 Gland OD	D4 Gland Flat	A				S Slot Width	L1 Outside Length	L2 Inside Length	L3 Gland Length	Pos. 1 Oring	Pos. 2 Oring	Pos. 3 Oring	Pos. 4 Oring	Pos. 5 Oring	Pos. 6 Oring
						Min. Bolt Circle by Stud Size													
						3/8"	1/2"	5/8"	3/4"										
0.937																			
1.000	1.685	1.740	2.030	4.090	1.908	2.875	3.020	3.207	3.457	0.460	1.875	1.140	0.570	120	127	222			
1.125	1.810	1.865	2.200	4.095	1.908	2.875	3.025	3.212	3.462	0.460	1.875	1.140	0.570	122	129	223			
1.250	1.960	2.000	2.255	4.405	2.046	3.135	3.260	3.447	3.697	0.460	1.875	1.140	0.570	124	131	224			
1.375	2.085	2.125	2.410	4.410	2.046	3.140	3.265	3.452	3.702	0.460	1.875	1.140	0.570	126	133	225			
1.500	2.205	2.245	2.550	4.810	2.065	3.355	3.480	3.667	3.917	0.530	1.875	1.140	1.250	128	135	226			
1.625	2.345	2.375	2.700	4.815	2.065	3.360	3.485	3.672	3.922	0.530	1.875	1.140	1.250	130	137	227			
1.750	2.460	2.500	2.850	5.440	2.305	3.565	3.690	3.877	4.127	0.560	1.875	1.140	0.570	132	139	228			
1.875	2.580	2.620	2.920	5.445	2.305	3.570	3.695	3.882	4.132	0.560	1.875	1.140	0.570	134	141	229			
2.000	2.715	2.750	3.110	5.500	2.450	3.780	3.905	4.092	4.342	0.560	1.875	1.140	0.570	136	143	230			
2.125	2.835	2.875	3.125	5.840	2.450	3.785	3.910	4.097	4.347	0.560	1.875	1.140	0.570	138	145	231			
2.250	2.960	3.000	3.580	6.170	2.460	4.310	4.435	4.622	4.872	0.640	1.875	1.140	1.250	140	147	232			
2.375	3.090	3.125	3.655	6.175	2.460	4.315	4.440	4.627	4.877	0.640	1.875	1.140	1.250	142	149	233			
2.500	3.215	3.250	3.822	6.420	2.742	4.515	4.640	4.827	5.077	0.640	1.875	1.140	0.570	144	151	234			
2.625	3.340	3.375	3.735	6.425	2.742	4.520	4.645	4.832	5.082	0.640	1.875	1.140	0.570	146	151	235			
2.750	3.660	3.700	4.030	7.755	3.020	5.065	5.190	5.377	5.627	0.640	1.875	1.250	1.250	232	236	236			
3.000	3.915	3.955	4.315	7.760	3.020	5.070	5.195	5.382	5.632	0.640	1.875	1.250	1.250	234	238	238			
3.250	4.165	4.205	4.925	8.495	3.331	5.812	5.937	6.124	6.374	0.780	1.875	1.250	1.250	236	240	240			
3.500	4.415	4.455	5.025	8.500	3.331	5.817	5.942	6.129	6.379	0.780	1.875	1.250	1.250	238	242	242			
3.750	4.660	4.700	5.032	8.505	3.331	5.822	5.947	6.134	6.384	0.780	1.875	1.250	1.250	240	244	244			
4.000	4.915	4.955	5.875	9.645	3.750	7.005	7.130	7.317	7.567	0.780	1.875	1.250	1.250	242	246	246			
4.250	5.165	5.205	6.125	9.650	3.750	7.010	7.135	7.322	7.572	0.780	1.875	1.250	1.250	244	248	248			
4.500	5.415	5.455	6.125	9.655	3.750	7.015	7.140	7.327	7.577	0.780	1.875	1.250	1.250	246	250	250			
4.750	5.665	5.705	6.225	9.660	3.750	7.020	7.145	7.332	7.582	0.780	1.875	1.250	1.250	248	252	252			

Distributed By:

(Phone)
(Fax)



Manufactured By:

Delta
44 Probbler Lane
Fall River, MA 02720
508-324-4032 (Phone)
508-324-4339 (Fax)

