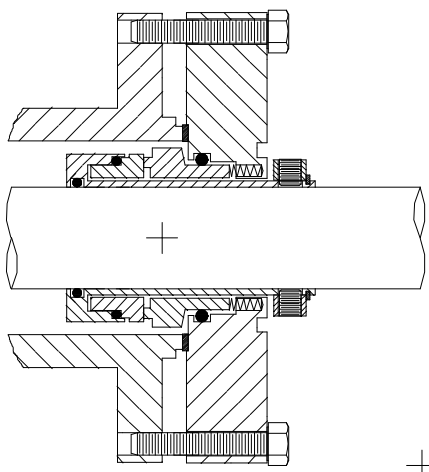




## DELTA SINGLE CARTRIDGE SEAL WITH SLIM PROFILE DESIGN

Fits most pumps with minimal axial space outboard of the stuffing box without pump modifications.

### STYLE 3500



### Technical Features

**Cost effective cartridge design** ideal for OEM component seal replacements and packed pump conversions.

**Fits All ANSI Frame pumps** without equipment modification.

**Seal accommodates equipment with short first obstructions** or sleeve extensions (1.375" outside length required).

**Low cost cartridge design** for non-corrosive services or optional exotic metal inserts available for corrosive environments. (Hastelloy "C", "B", and Titanium)

**Rugged, heavy duty gland castings** eliminate distortion related failures typically encountered on competitors "low cost, light duty gland designs".

**Rotary inboard faces stabilized under compression** are flexibly mounted utilizing o-rings for their shock and vibration absorption qualities. This eliminates premature fractures in the faces under thermal and mechanical shock that can cause catastrophic failures in other designs with faces under tension.

**Balanced stationary cartridge design utilizes all static o-rings**, which eliminates damage to the pump shaft/sleeve or seal normally caused by rotary pusher component or pusher cartridge type seals, allowing use of solid pump shafts that minimize deflection.

**Positive hold, metal centering clips** center the seal in both the axial and radial directions.

**Choose from spare parts kits for field repair or the optional factory repair program.** State of the art, easy-to-install design uses the least number of components, simplifying field repair, resulting in low life cycle costs.

All seals are pressure tested at the factory assuring 100% sealability during startup.

### Optional Features and Ordering Information:

- Special metal insert: order seal model S500

### Application Data

**Shaft speed:** To 3600 RPM

**Pressure:** Vacuum to 400 PSI

**Temperature:** See O-ring limitations

### Materials

**Metal Parts:** 316SS, Hastelloy "C", Titanium

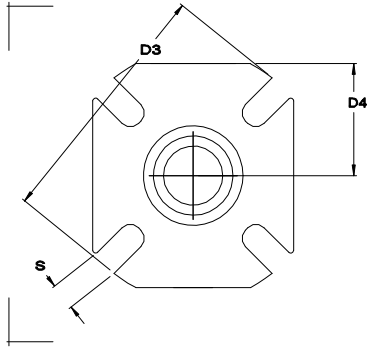
**Springs:** Hastelloy "C"

**Faces:** Combinations of Carbon, Sintered-Silicon Carbide, and Tungsten Carbide

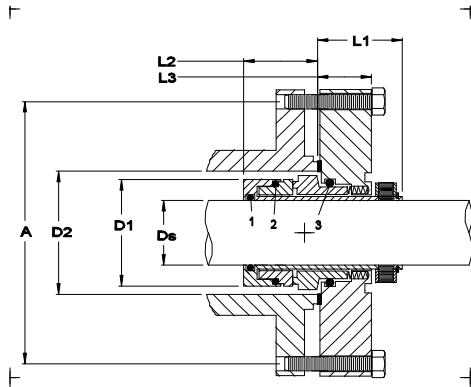
**Elastomers:** Viton, EPR, Kalrez, Aflas, Teflon

# DIMENSIONAL DATA FOR DELTA SEAL STYLE 3500

**FRONT VIEW**

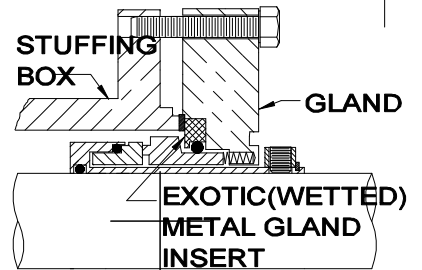


**SIDE VIEW**



**OPTIONAL GLAND FEATURE**

Optional exotic metal gland insert for corrosive environments. (Hastelloy "C", "B", Titanium, etc.)



DS Seal Size	D1 Sleeve OD	D2 Min	D2 Max	D3 Gland OD	D4 Gland Flat	A Min. Bolt Circle by Stud Size				S Slot Width	L1 Outside Length	L2 Inside Length	L3 Gland Length	Pos. 1 Oring	Pos. 2 Oring	Pos. 3 Oring	Pos. 4 Oring	Pos. 5 Oring	Pos. 6 Oring
						3/8"	1/2"	5/8"	3/4"										
						0.937	1.685	1.740	2.030										
1.000	1.685	1.740	2.030	4.125	1.870	2.753	2.878	3.003	3.128	0.440	1.375	1.312	0.625	120	127	222			
1.125	1.715	1.750	2.200	4.125	1.870	2.753	2.878	3.003	3.128	0.440	1.375	1.092	0.625	122	028	223			
1.250	1.960	2.000	2.255	4.375	1.9375	3.085	3.210	3.335	3.460	0.560	1.375	1.312	0.625	124	131	224			
1.375	1.965	2.000	2.410	4.375	1.9375	3.085	3.210	3.335	3.460	0.560	1.375	1.092	0.625	126	030	225			
1.437	2.205	2.245	2.550	4.800	2.138	3.355	3.480	3.605	3.730	0.560	1.375	1.312	0.625	128	135	226			
1.500	2.205	2.245	2.550	4.800	2.138	3.355	3.480	3.605	3.730	0.560	1.375	1.312	0.625	128	135	226			
1.625	2.345	2.375	2.700	4.800	2.138	3.355	3.480	3.605	3.730	0.560	1.375	1.312	0.625	130	137	227			
1.750	2.460	2.500	2.850	5.165	2.3125	3.535	3.660	3.785	3.910	0.530	1.375	1.312	0.625	132	139	228			
1.875	2.580	2.620	2.920	5.165	2.3125	3.535	3.660	3.785	3.910	0.530	1.375	1.312	0.625	134	141	229			
1.937	2.715	2.750	3.110	5.500	2.350	3.785	3.910	4.035	4.160	0.560	1.375	1.312	0.625	136	143	230			
2.000	2.715	2.750	3.110	5.500	2.350	3.785	3.910	4.035	4.160	0.560	1.375	1.312	0.625	136	143	230			
2.125	2.835	2.875	3.330	5.860	2.450	4.005	4.130	4.255	4.380	0.690	1.375	1.312	0.625	138	145	231			
2.250	2.960	3.000	3.580	6.170	2.560	4.355	4.480	4.605	4.730	0.690	1.375	1.312	0.625	140	147	232			
2.375	3.090	3.125	3.655	6.170	2.560	4.355	4.480	4.605	4.730	0.690	1.375	1.312	0.625	142	149	233			
2.437	3.215	3.250	3.822	6.750	2.7425	4.655	4.780	4.905	5.030	0.690	1.375	1.312	0.625	144	151	234			
2.500	3.215	3.250	3.822	6.750	2.7425	4.655	4.780	4.905	5.030	0.690	1.375	1.312	0.625	144	151	234			
2.625	3.340	3.375	3.875	6.750	2.7425	4.655	4.780	4.905	5.030	0.690	1.375	1.312	0.625	146	151	235			

**Distributed By:**

(Phone)  
(Fax)



**Manufactured By:**

Delta  
44 Propper Lane  
Fall River, MA 02720  
508-324-4032 (Phone)  
508-324-4339 (Fax)

