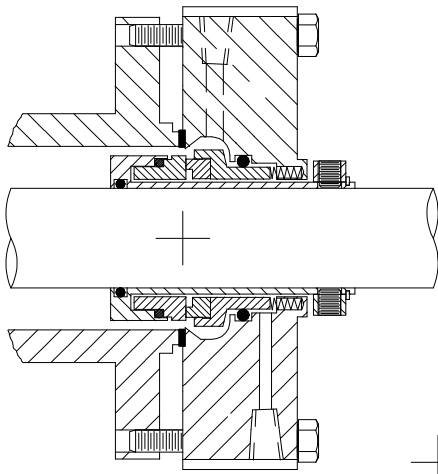




DELTA SINGLE CARTRIDGE SEAL FOR MOYNO® AND TARBY® PUMPS

Designed with special gland geometry for progressing cavity pumps. Optional quench and drain feature available.

STYLE 3700



Technical Features

Special gland geometry for positive displacement pumps allows use of a standard cartridge seal in place of OEM component seals. The use of cartridge seals simplifies installation and avoids potential damage to shaft and seal components.

Deltas' cool running gland design provides clearances 10 times greater than the average clearance provided by other seal manufacturers' designs. This feature maximizes the volume of flow around seal faces, resulting in a cooler, cleaner face environment, providing extended seal life.

Tangential flush connections positioned over the seal faces utilize the largest thru hole diameter available, supplying over 4 times the volume of straight drilled flush holes, providing maximum cooling and cleaning of seal faces maximizing seal life.

Rugged, heavy-duty gland castings eliminate distortion related failures typically encountered on "low cost, light duty gland designs".

Rotary inboard faces stabilized under compression are flexibly mounted utilizing o-rings for their shock and vibration absorption qualities. This eliminates premature fractures in the faces under thermal and mechanical shock that can cause catastrophic failures in other designs with faces under tension.

Balanced stationary cartridge design utilizes all static o-rings, which eliminates damage to the pump shaft/sleeve or seal normally caused by rotary pusher component or pusher cartridge type seals, allowing use of solid pump shafts that minimize deflection.

Positive hold, metal-centering clips center the seal in both the axial and radial directions.

Optional features:

- Quench and drain feature

Application Data

Shaft speed: To 3600 RPM

Pressure: Vacuum to 400 PSI

Temperature: See O-ring limitations

Materials

Metal Parts: 316SS, Alloy 20

Springs: Hastelloy "C"

Faces: Combinations of Carbon, Sintered-Silicon Carbide, and Tungsten Carbide

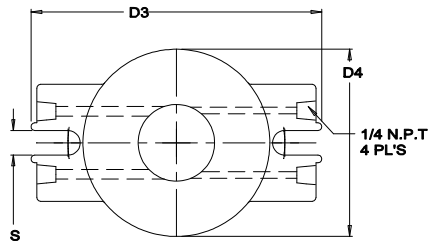
Elastomers: Viton, EPR, Kalrez, Aflas, Teflon

Choose from spare parts kits for field repair or the optional factory repair program. State of the art, easy-to-install design uses the least number of components, simplifying field repair, resulting in low life cycle costs.

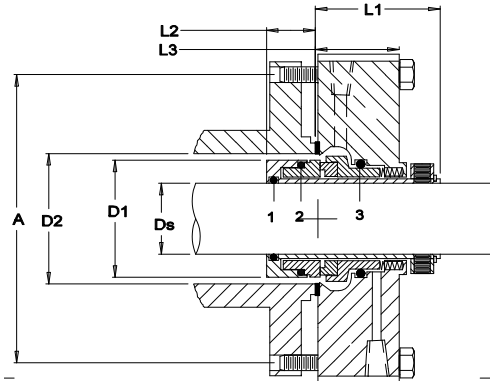
All seals are pressure tested at the factory assuring 100% sealability during startup.

DIMENSIONAL DATA FOR DELTA SEAL STYLE 3700

FRONT VIEW

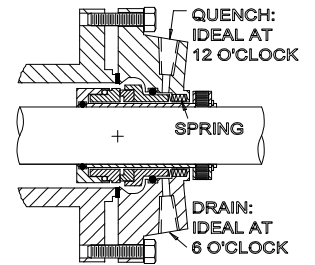


SIDE VIEW



OPTIONAL GLAND FEATURE

Quench and Drain optional on this seal model.



(REPRESENTATIVE VIEW)

DS Seal Size	D1 Sleeve OD	D2 Min	D2 Max	D3 Gland OD	D4 Gland Flat	A				S Slot Width	L1 Outside Length	L2 Inside Length	L3 Gland Length	Pos. 1 Oring	Pos. 2 Oring	Pos. 3 Oring	Pos. 4 Oring	Pos. 5 Oring	Pos. 6 Oring
						Min. Bolt Circle by Stud Size													
						3/8"	1/2"	5/8"	3/4"										
1.125	1.810	1.865		3.937	2.375				.42	2.060	1.437	1.350	122	028	223				
1.312	2.085	2.125		4.875	2.875				.50	2.060	1.437	1.350	126	030	225				
1.625	2.345	2.375		5.250	3.000				.562	1.875	0.780	1.350	130	137	227				
2.125	2.835	2.875		6.625	3.810				.625	1.875	0.780	1.350	138	145	231				
2.500	3.215	3.250		7.250	4.250				.625	1.875	0.780	1.350	144	151	234				
3.500	4.415	4.455		9.875	5.500				.625	1.875	0.780	1.350	238	242	242				

Distributed By:

(Phone)
(Fax)



Manufactured By:

Delta
44 Probbler Lane
Fall River, MA 02720
508-324-4032 (Phone)
508-324-4339 (Fax)

