



## DELTA DOUBLE CARTRIDGE SEAL FOR MOYNO® AND TARBY® PUMPS

Designed with special gland geometry for progressing cavity pumps.

### STYLE 3800



#### Technical Features

**Special gland geometry** for positive displacement pumps allows use of a standard cartridge seal in place of OEM component seals. The use of cartridge seals simplifies installation and avoids potential damage to shaft and seal components.

**Self-venting, bi-directional barrier fluid connections** accommodate shaft rotations in either direction on horizontal and vertically mounted equipment.

**Double balanced, stationary design** can be operated in two modes. In double mode the barrier fluid pressure higher is than stuffing box pressure. In tandem mode the barrier fluid pressure is lower than stuffing box pressure and can accommodate pressure reversals at the inboard faces.

**Cool running double cartridge design** combines large internal clearances, optimal inboard and outboard face widths, and centrally located flush ports. These features maximize the circumferential flow around the seal faces, resulting in more efficient cooling and extended seal life.

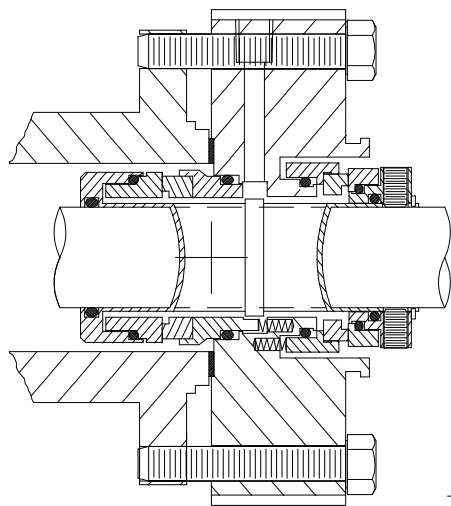
**Rotary inboard faces stabilized under compression** are flexibly mounted utilizing o-rings for their shock and vibration absorption qualities. This eliminates premature fractures in the faces under thermal and mechanical shock that can cause catastrophic failures in other designs with faces under tension.

**Balanced stationary cartridge design utilizes all static o-rings**, which eliminates damage to the pump shaft/sleeve or seal normally caused by rotary pusher component or pusher cartridge type seals, allowing use of solid pump shafts that minimize deflection.

**Positive hold, metal centering clips** center the seal in both the axial and radial directions.

**Choose from spare parts kits for field repair or the optional factory repair program.** State of the art, easy-to-install design uses the least number of components, simplifying field repair, resulting in low life cycle costs.

All seals are pressure tested at the factory assuring 100% sealability during startup.



#### Application Data

**Shaft speed:** To 3600 RPM

**Pressure:** Vacuum to 400 PSI

**Temperature:** See O-ring limitations

#### Materials

**Metal Parts:** 316SS, Alloy 20

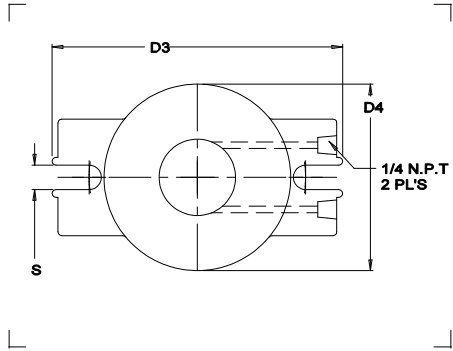
**Springs:** Hastelloy "C"

**Faces:** Combinations of Carbon, Sintered-Silicon Carbide, and Tungsten Carbide

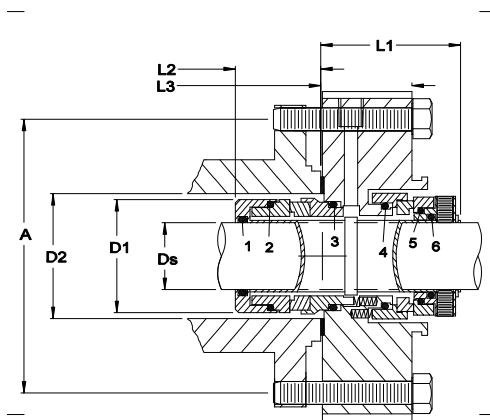
**Elastomers:** Viton, EPR, Kalrez, Aflas, Teflon

# DIMENSIONAL DATA FOR DELTA SEAL STYLE 3800

**FRONT VIEW**



**SIDE VIEW**



**OPTIONAL GLAND FEATURE**

DS Seal Size	D1 Sleeve OD	D2 Min	D2 Max	D3 Gland OD	D4 Gland Flat	A				S Slot Width	L1 Outside Length	L2 Inside Length	L3 Gland Length	Pos. 1 Oring	Pos. 2 Oring	Pos. 3 Oring	Pos. 4 Oring	Pos. 5 Oring	Pos. 6 Oring
						Min. Bolt Circle by Stud Size													
						3/8"	1/2"	5/8"	3/4"										
1.125	1.718	1.865		3.937	2.375					.420	2.060	1.350	1.350	122	028	128	128	126	124
1.312	1.967	2.125		4.875	2.875					.500	2.060	1.350	1.350	126	030	132	132	130	128
1.625	2.345	2.375		5.250	3.000					.562	2.125	1.285	1.350	130	137	137	136	134	132
2.125	2.835	2.875		6.625	3.810					.625	2.125	1.285	1.350	138	145	145	144	142	140
2.500	3.215	3.250		7.250	4.250					.625	2.125	1.285	1.350	144	151	151	150	148	146
3.500	4.415	4.455		9.875	5.500					.625	2.300	1.160	1.350	238	242	242	242	241	239

**Distributed By:**

(Phone)  
(Fax)



**Manufactured By:**

Delta  
44 Propper Lane  
Fall River, MA 02720  
508-324-4032 (Phone)  
508-324-4339 (Fax)

