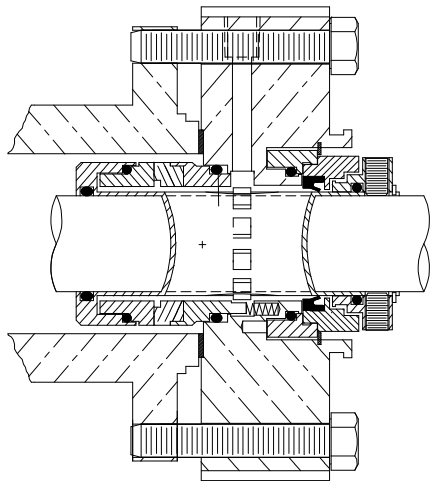




DELTA SINGLE CARTRIDGE SEAL WITH PUMPING RING FOR MOYNO® AND TARBY® PUMPS IN SEVERE SERVICE APPLICATIONS

STYLE 8820



Pumping ring design for progressing cavity pumps. Optional floating throttle bushing or lip seal provides solution for dissolved and undissolved solids and thermally sensitive fluid applications.

Technical Features

Special gland geometry for positive displacement pumps allows use of a standard cartridge seal in place of OEM component seals. The use of cartridge seals simplifies installation and avoids potential damage to shaft and seal components.

Delta's integral throttle bushing or lip seal provides a quench on the atmospheric side of seal to prevent buildup of particles carried by normal seal weepage of product which may cause hang-up of springs and seal faces. The 8000 series offers a cost-effective alternative as a replacement to using compression packing, double mechanical seals with auxiliary systems, and dynamically sealed or magnetic drive pumps.

Optional gland lip seal provides a secondary containment seal allowing the use of a quench fluid reservoir, stand pipe, or external water flush for outboard side lubrication of seal faces. This configuration offers reduced maintenance and plant water consumption in demanding applications in power, pulp and paper, and chemical processing industries.

Self-venting, bi-directional barrier/quench fluid connections accommodate shaft rotations in either direction on horizontal and vertically mounted equipment.

Two piece face designs assures optimum seal performance for the most challenging, demanding environments where one piece face construction is vulnerable to premature failure.

All static o-rings are used throughout, which eliminates damage to the pump shaft/sleeve or seal normally caused by rotary pusher component or pusher cartridge type seals, allowing use of solid pump shafts that minimize deflection.

Rotary inboard faces stabilized under compression are flexibly mounted utilizing o-rings for their shock and vibration absorption qualities. This eliminates premature fractures in the faces under thermal and mechanical shock that can cause catastrophic failures in other designs with faces under tension.

Positive hold, metal centering clips center the seal in both the axial and radial directions.

Stationary springs are mounted in the gland and are completely isolated from the pumped product and are not susceptible to centrifugal force during operation so coil fatigue of the springs is prevented.

Optional Features:

- Select one of the following
- Floating Throttle Bushing design (Bronze or Carbon)
 - Lip Seal Design

Application Data

Shaft speed: To 3600 RPM

Pressure: Vacuum to 400 PSI

Temperature: See O-ring limitations

Materials

Metal Parts: 316SS, Alloy 20

Springs: Hastelloy "C"

Faces: Combinations of Carbon, Sintered-Silicon Carbide, and Tungsten Carbide

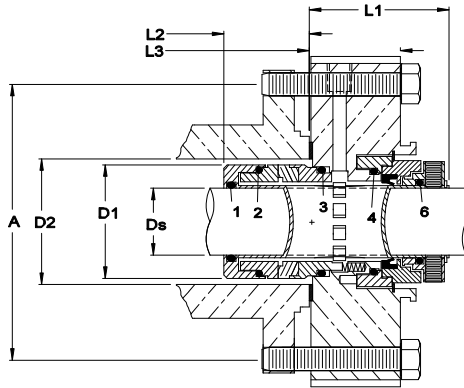
Elastomers: Viton, EPR, Kalrez, Aflas, Teflon

DIMENSIONAL DATA FOR DELTA SEAL STYLE 8820

FRONT VIEW

SIDE VIEW

OPTIONAL GLAND FEATURE



DS Seal Size	D1 Sleeve OD	D2 Min	D2 Max	D3 Gland OD	D4 Gland Flat	A				S Slot Width	L1 Outside Length	L2 Inside Length	L3 Gland Length	Pos. 1 Oring	Pos. 2 Oring	Pos. 3 Oring	Pos. 4 Oring	Pos. 5 Oring	Pos. 6 Oring
						Min. Bolt Circle by Stud Size													
						3/8"	1/2"	5/8"	3/4"										
1.125	1.718	1.865		3.937	2.375					2.060	1.350	1.350	122	028	128	128			124
1.312	1.967	2.125		4.875	2.875					2.060	1.350	1.350	126	030	132	132			128
1.625	2.345	2.375		5.250	3.000					2.125	1.285	1.350	130	137	137	136			132
2.125	2.835	2.875		6.625	3.810					2.125	1.285	1.350	138	145	145	144			140
2.500	3.215	3.250		7.250	4.250					2.125	1.285	1.350	144	151	151	150			146
3.500	4.415	4.455		9.875	5.500					2.300	1.160	1.350	238	242	242	242			239

Distributed By:

(Phone)
(Fax)



Manufactured By:

Delta
44 Prober Lane
Fall River, MA 02720
508-324-4032 (Phone)
508-324-4339 (Fax)

