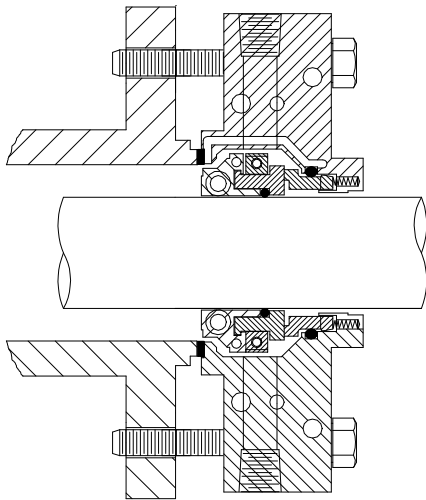




## DELTA SPLIT MECHANICAL SEAL WITH RIGID ROTARY FACE

New patented technology takes split seals into challenging applications. Standard seal fits ANSI, stock/slurry, and split case pumps and mixer/agitators.

### STYLE 9500



### Technical Features

**Rigidly mounted rotary face design** accommodates the broadest range of demanding applications of any split seals available today! The patented two-piece holder securely mounts rotary seal faces under compression eliminating face damage common to flexibly mounted faces.

**Automatic seal face alignment** simplifies installation and protects face joints from damage. The result is reduced leakage and improved performance.

**Advanced, split hard face technology** eliminates face breakage and provides a cost effective solution for slurry applications. The use of split tungsten carbide is a first in the industry.

**Installation is fast and easy** with only two major components. The gland and rotary unit come preassembled. The gland has all components, including the stationary seal face preinstalled. The rotary unit comes with all components preassembled, including seal face halves and o-rings.

**No glues or adhesives required for installation** eliminating time consuming, error prone procedures that contribute to seal leakage on startup. Only two elastomers (o-rings) are used in the seal design, minimizing leak paths.

**High-flow robust gland** with large internal clearances provides maximum flow of liquid, moving solids away from seal faces while providing superior cooling. Heavy-duty castings eliminate distortion related failures due to excessive bolt tightening.

**Wide range of applications** includes standard ANSI pumps, non-ANSI paper stock and slurry pumps, vertical turbine pumps, between bearing split case pumps, and mixer/agitators.

**Special bolting plate adapters or box face adaptors** are available for unusual bolting or box dimensions.

**Split seal is mounted outside the box** eliminating the need to replace worn packing sleeves.

**On typical centrifugal pumps**, seal design accommodates .002 shaft run out per inch of shaft diameter and .005 axial shaft movement (end play).

**On low speed equipment**, typically mixers and agitators, the seal design accommodates shaft run out of .062 for seal sizes up to 2.625 and run out of .100 for sizes 2.750 - 5.250. The design accommodates axial shaft movement (end play) up to .015".

**Choose from spare parts kits for field repair or the optional factory repair program.** State of the art, easy-to-install design uses the least number of components, simplifying field repair, resulting in low life cycle costs.

The 9500 is available in standard sizes from 1.437 inches to 5.250 inches.

### Application Data

#### Shaft speed:

Sizes 1.437" to 2.625" up to 3600 RPM,  
 Sizes 2.750" to 5.250" up 1800 RPM max.

**Pressure:** Vacuum to 200 PSI

**Temperature:** 250 degree F

### Materials

**Metal Parts:** 316SS

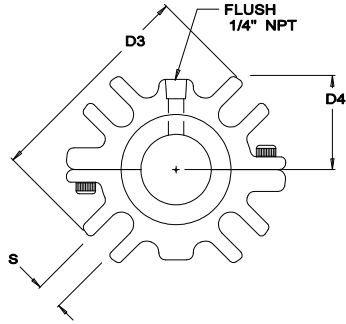
**Springs:** Hastelloy "C"

**Faces:** Carbon/Silicon Carbide, Silicon Carbide/Silicon Carbide,  
 Tungsten Carbide/Silicon Carbide

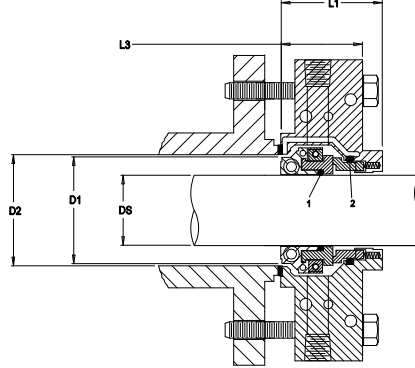
**Elastomers:** Viton, EPR

# METRIC DIMENSIONAL DATA FOR DELTA SEAL STYLE 9500

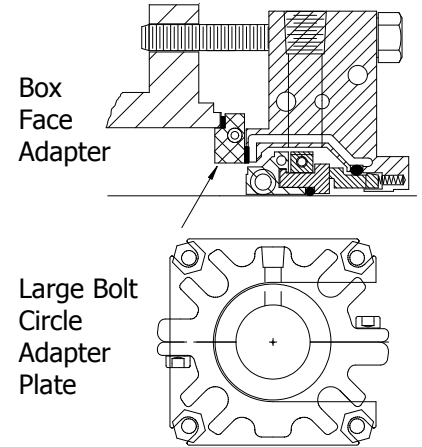
**FRONT VIEW**



**SIDE VIEW**



**OPTIONAL GLAND FEATURE**



DS Seal Size	D1 Sleeve OD	D2 Min	D2 Max	D3 Gland OD	D4 Gland Flat	A				S Slot Width	L1 Outside Length	L2 Inside Length	L3 Gland Length
						Min. Bolt Circle by Stud Size							
						8mm	10mm	12mm	16mm				
38	0	38.1	62.1	123.6	53.6	83.7	85.8	87.7	91.6	14.6	53.8	0	43.4
40	0	41.2	65	138.1	56.8	87.7	89.8	91.7	95.6	14.6	53.8	0	43.4
43	0	44.4	70.1	138.1	56.8	87.7	89.8	91.7	95.6	14.6	53.8	0	43.4
45	0	47.6	73	139.7	59.7	92.5	94.5	96.5	100.4	14.6	53.8	0	43.4
48	0	50.8	76.3	139.7	59.7	96	98.1	100.1	103.9	14.6	53.8	0	43.4
50	0	50.8	76.3	139.7	59.7	96	98.1	100.1	103.9	14.6	53.8	0	43.4
55	0	57.1	87.5	158.7	66.3	109	111	113	116.9	17.7	53.8	0	43.4
60	0	60.3	89.1	158.7	66.3	109	111	113	116.9	17.7	53.8	0	43.4
65	0	66.6	99.4	165.1	68.4	119.4	121.5	123.4	127.3	17.7	53.8	0	43.4
70	0	73	102.4	195.9	79.9	128.1	130.2	132.2	136.1	17.7	55.7	0	45.3
75	0	76.2	111.2	208.2	85	142.5	144.6	146.6	150.4	19.8	55.7	0	45.3
80	0	82.5	115.1	208.2	85	142.5	144.6	146.6	150.4	19.8	55.7	0	45.3
85	0	85.7	127	217.4	88.9	155.1	157.2	159.1	163	19.8	55.7	0	45.3
90	0	92	126	217.4	88.9	155.1	157.2	159.1	163	19.8	55.7	0	45.3
95	0	95.2	122.9	217.4	88.9	155.1	157.2	159.1	163	19.8	55.7	0	45.3
100	0	101.6	137.4	227.4	93.9	163.3	165.4	167.4	171.3	23.1	55.7	0	45.3
110	0	111.1	150.1	233.6	96.1	172.9	174.9	176.9	180.8	23.1	55.7	0	45.3
115	0	117.4	156.4	252.7	105.5	199.4	201.5	203.5	207.3	23.1	55.7	0	45.3
120	0	120.6	155.3	252.7	105.5	199.4	201.5	203.5	207.3	23.1	55.7	0	45.3
125	0	127	179	252.7	105.5	199.4	201.5	203.5	207.3	23.1	55.7	0	45.3
130	0	133.3	179	252.7	105.5	199.4	201.5	203.5	207.3	23.1	55.7	0	45.3

© 2005 Delta Mechanical Seals. All rights reserved. Protected under US and International Patents

**Distributed By:**

(Phone)  
(Fax)



**Manufactured By:**

Delta  
44 Probbler Lane  
Fall River, MA 02720  
508-324-4032 (Phone)  
508-324-4339 (Fax)